

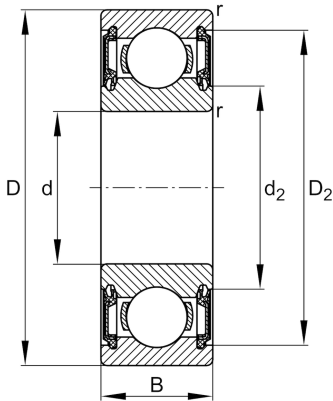
FAG

6005-H-2RSR

Deep groove ball bearing

Schaeffler ID:
0938778030000Deep groove ball bearing 60..-H-2RSR,
single row, H-Series, seals, steel sheet
metal cage

Technical information

**Main Dimensions & Performance Data**

d	25 mm	Bore diameter
D	47 mm	Outside diameter
B	12 mm	Width
C_r	10.070 N	Basic dynamic load rating, radial
C_{0r}	5.850 N	Basic static load rating, radial
C_{ur}	350 N	Fatigue load limit, radial
n_G	8.400 1/min	Limiting speed
	0,085 kg	Weight

Dimensions

r_{min}	0,6 mm	Minimum chamfer dimension
D_2	42 mm	Caliber diameter outer ring
d_2	30,3 mm	Caliber diameter inner ring

Mounting dimensions

$d_{a min}$	28,2 mm	Minimum diameter shaft shoulder
$D_{a max}$	43,8 mm	Maximum diameter of housing shoulder
$r_{a max}$	0,6 mm	Maximum fillet radius

Calculation factors

f_0	14,5	Calculation factor
-------	------	--------------------

Temperature range

T_{min}	-20 °C	Operating temperature min.
T_{max}	100 °C	Operating temperature max.

